

Datasheet LED Vapor-Proof Light

Item no. GLVP-4

LED Vapor-Proof Light

B Version

Aluminum shape + PC cover

• Product Master

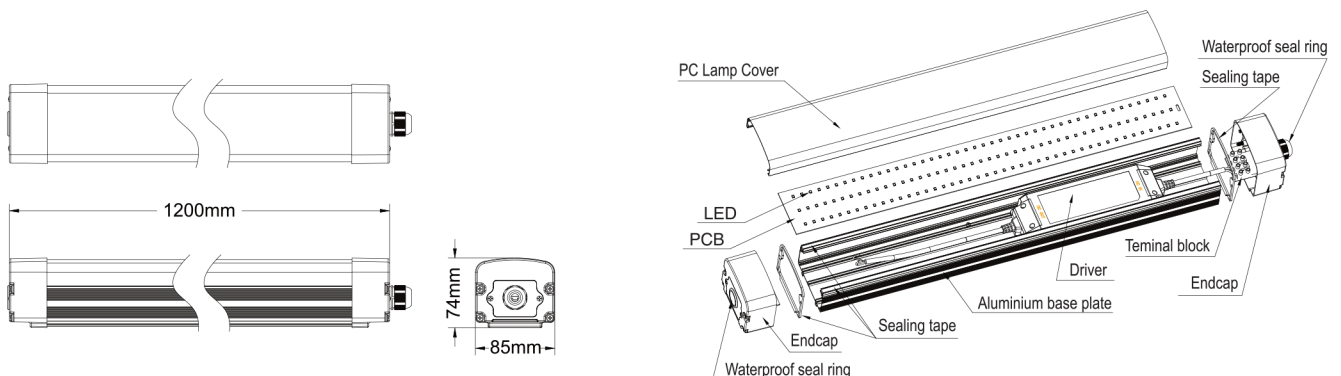
SMD2835 /Ra>80 + AC90-277V External Driver

• Product Features

- ☆ Water proof / Dust proof / Explosion proof
- ☆ Color index: Ra>80/ R9>0
- ☆ Universal input voltage: AC90-277V
- ☆ Aluminum base for heat dissipation
- ☆ Micro-wave sensor / Emergency function
- ☆ 5 years warranty



• Product dimension / explosion drawing



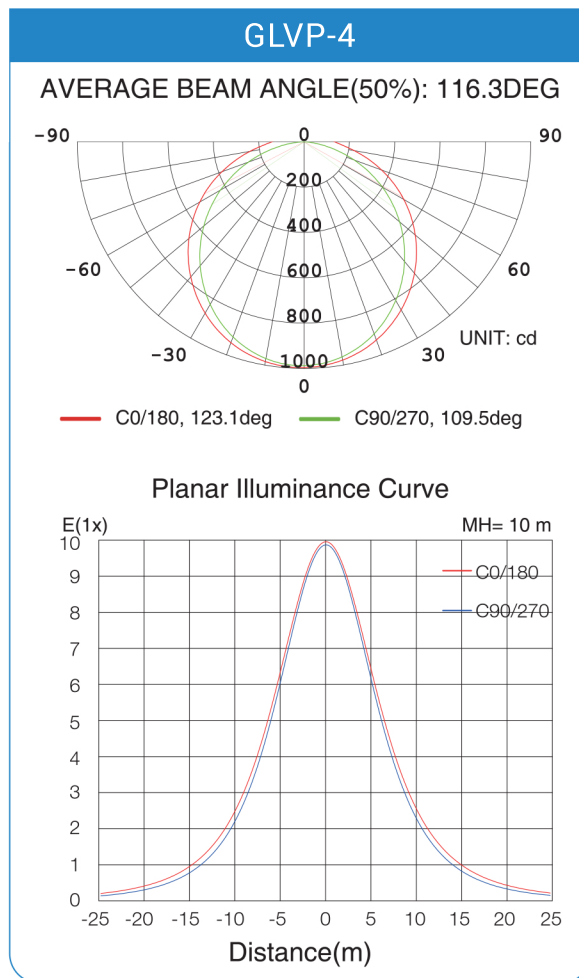
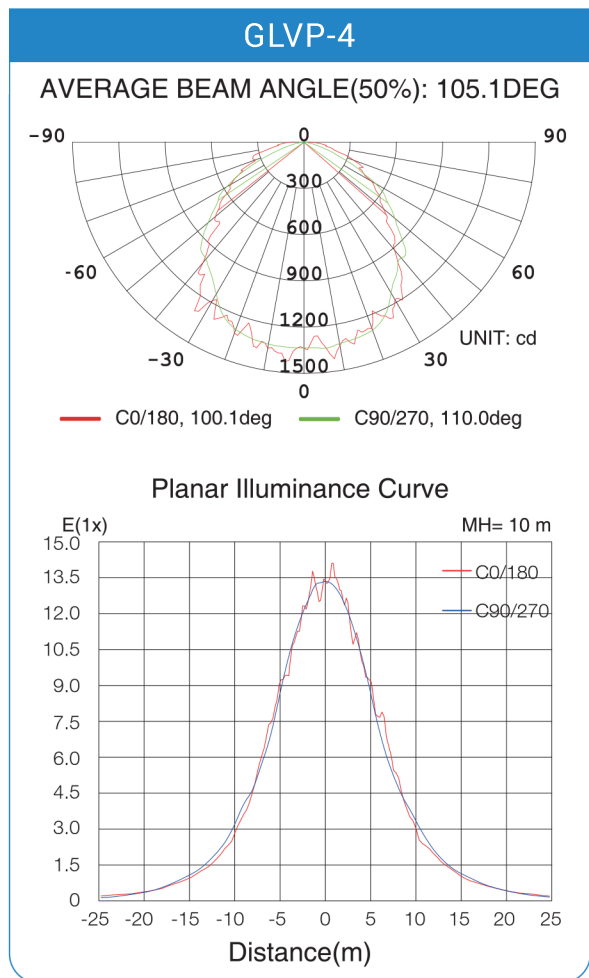
• Technical / Electrical Characters (at TA=25°C)

Item	Symbol	Standard / Dimmable	
Rated Power	W	40W	
Product Code	Non-Dimmable	GLVP-4	GLVP-4
LED type /Qty	SMD2835	216 pcs	216 pcs
Luminous Flux	Lm	Clear: typ. 3850Lm	Milky: typ. 3350Lm
Luminous Efficacy	Lm/W	Clear: typ. 95Lm/W	Milky: typ. 85Lm/W
Lux Data	2M	typ. 337-372Lux	typ. 237-261Lux
	3M	typ. 150-165Lux	typ. 105-116Lux
Color Index	Ra	Ra>80	
Beam Angle	Degree	120 degree	
Power Factor	PF	PF>0.95	
Input Voltage	V	AC90-277V 50/60Hz	
Color Temperature	TC(K)	WW: 2500-4000K, NW: 4000-5000K, PW: 5000-6000K, CW>6000K	
LED Forwarder Current	mA	Constant 50mA	
Life Span	hours	30,000-50,000 hours	
Quality Warranty	Years	3 years	

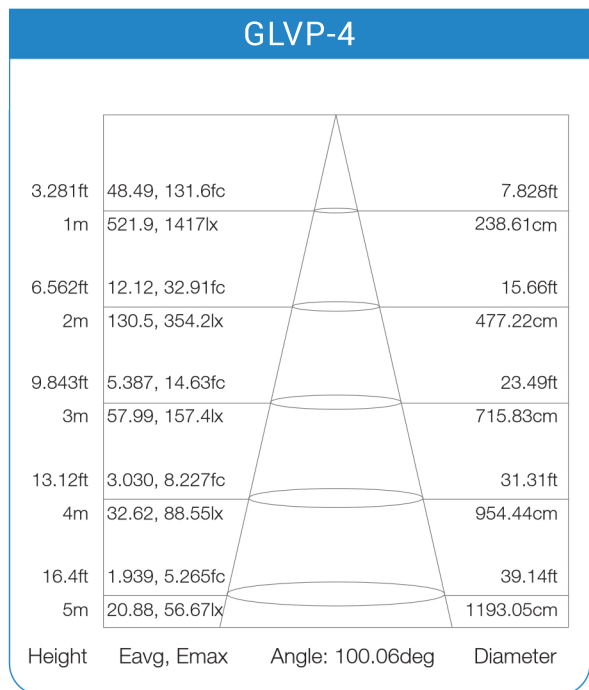
Datasheet LED Vapor-Proof Light

Item no. GLVP-4

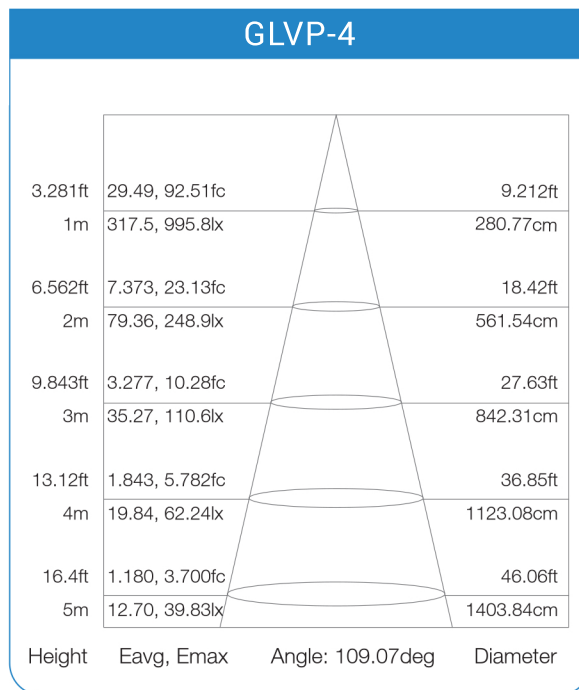
• Luminous Intensity Distribution Curve



• Lighting Output Lux Testing



• Lighting Output Lux Testing

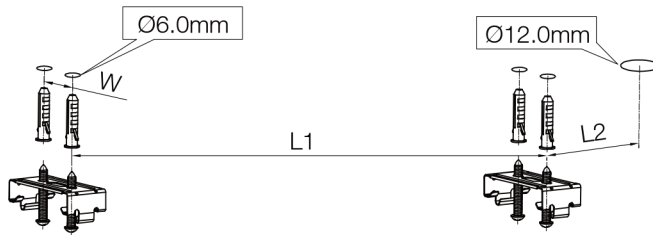


Datasheet LED Vapor-Proof Light

Item no. GLVP-4

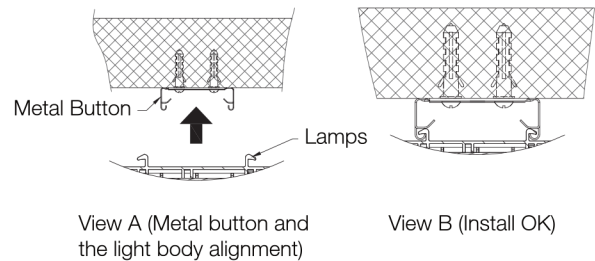
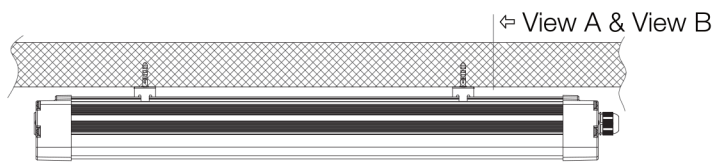
• Installation Instructions

1. Seat the fixing clips to the mounting surface according to the dimension instruction.

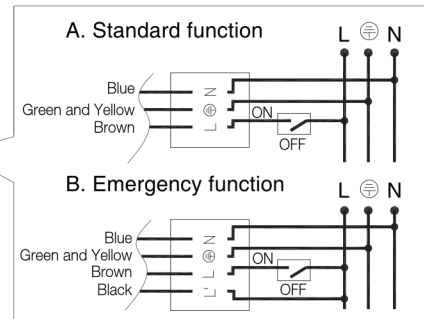
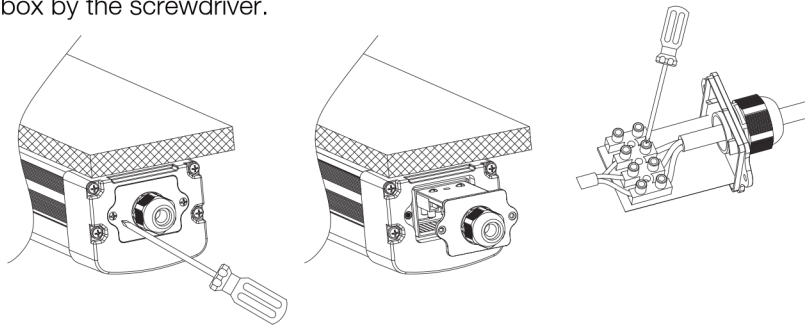


Product Size	W	L1	L2
600x85x74mm	27mm	300mm	170mm
1200x85x74mm	27mm	600mm	240mm
1500x85x74mm	27mm	750mm	360mm
1800x85x74mm	27mm	1200mm	360mm

2. Push the Lamp body into the mounting clips.



3. Take out the junction box by the screwdriver, connect the L/N/⊕ wire according in the junction box, fix the junction box by the screwdriver.



• Package

Product Type	Rated Power	Inner Box	Outer Carton	Qty/Carton	Unit N.W	G.W/Carton
1200 x 85 x 74mm	40W	1240 x 92 x 82mm	1260 x 185 x 210mm	4Pcs	2020g	10.8Kg

! CAUTION

- ※ In case of electric shock, please make sure the power is off when installation is made.
- ※ The lamp should be installed and operated by a qualified electrician or technician in accordance with relevant local codes.
- ※ Do not use sharp tools near or on the surface of the lamp.
- ※ Unpack and carefully examine the product. Report any damage and save all packing materials if any portion of the product was damaged during transportation.